

nEXT85 TURBOMOLECULAR PUMP

edwardsvacuum.com

The nEXT85 turbomolecular pump builds upon the success of the EXT75DX to deliver a pump with significantly improved performance in a smaller package.

The rotor has been totally re-designed to optimise pump performance and achieve both higher speeds and higher compression while maintaining high levels of reliability.

In addition to enhanced performance nEXT85 benefits from the same service and operational functionalities from the larger nEXT range, including field serviceability and in-built intelligence, for a truly class leading product.

Features and benefits

- Class leading performance in a reduced footprint
- Enhanced customer choice with standard and compression focused variants
- Increased operating envelope maximised by Edwards' patented direct impeller temperature measurement technology
- Additional flexibility from customised interstage and backing port position selection
- The bearing and oil cartridge in the nEXT85 are fully end-user serviceable
- CMSD enabled low vibration levels
- Intelligent pumps with included micro USB port and Edwards nST software allowing pump monitoring, control and configuration
- Full suite of tailored accessories



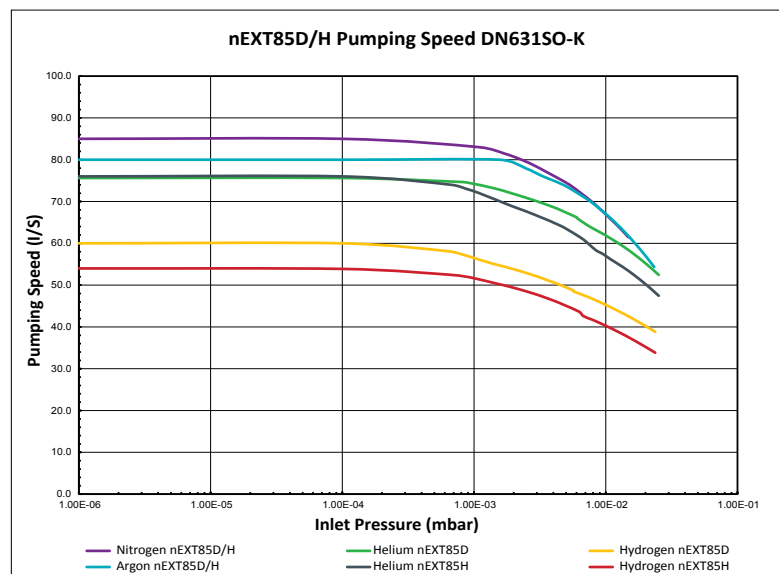
PRODUCT DATA SHEET

Technical data

	nEXT85D NW40	nEXT85H NW40	nEXT85D ISO63	nEXT85H ISO63	nEXT85D CF63	nEXT85H CF63	nEXT85D ISO100	nEXT85H ISO100
Main inlet pumping speed								
N ₂ ls ⁻¹	47	47	84	84	84	84	86	86
He ls ⁻¹	61	61	78	78	78	78	80	78
H ₂ ls ⁻¹	49	44	60	54	60	54	60	54
Ar ls ⁻¹	44	44	80	80	80	80	84	84
Peak compression ratio from the backing port to the main inlet port								
N ₂	>10 ¹¹	>10 ¹¹	>10 ¹¹	>10 ¹¹	>10 ¹¹	>10 ¹¹	>10 ¹¹	>10 ¹¹
He	8x10 ⁶	2x10 ⁷	8x10 ⁶	2x10 ⁷	8x10 ⁶	2x10 ⁷	8x10 ⁶	2x10 ⁷
H ₂	2x10 ⁵	2x10 ⁵	2x10 ⁵	2x10 ⁵	2x10 ⁵	2x10 ⁵	2x10 ⁵	2x10 ⁵
Ar	>10 ¹¹	>10 ¹¹	>10 ¹¹	>10 ¹¹	>10 ¹¹	>10 ¹¹	>10 ¹¹	>10 ¹¹
Ultimate pressure (mbar) (Torr)	<5x10 ⁻⁹ <3.8x10 ⁻⁹	<5x10 ⁻⁹ <3.8x10 ⁻⁹	<5x10 ⁻⁹ <3.8x10 ⁻⁹	<5x10 ⁻⁹ <3.8x10 ⁻⁹	<5x10 ⁻¹⁰ <3.8x10 ⁻¹⁰	<5x10 ⁻¹⁰ <3.8x10 ⁻¹⁰	<5x10 ⁻⁹ <3.8x10 ⁻⁹	<5x10 ⁻⁹ <3.8x10 ⁻⁹
Mass	2.9 Kg	2.9 Kg	3.0Kg	3.0Kg	4.4Kg	4.4Kg	3.2Kg	3.2Kg
	Forced air cooling (20°C Ambient)		Natural convection (35 °C Ambient)		Forced air cooling (40 °C Ambient)		Water cooling (40 °C Ambient)	
Maximum continuous backing pressure at ultimate inlet pressure (mbar)								
Nitrogen	18		10		11		17	
Maximum input flow sccm:								
Nitrogen	60		22		25		42	
Argon	21		7		7		15	
Helium	232		96		128		191	
Operation attitude	Vertical and upright to horizontal ± 2°							



Performance graph



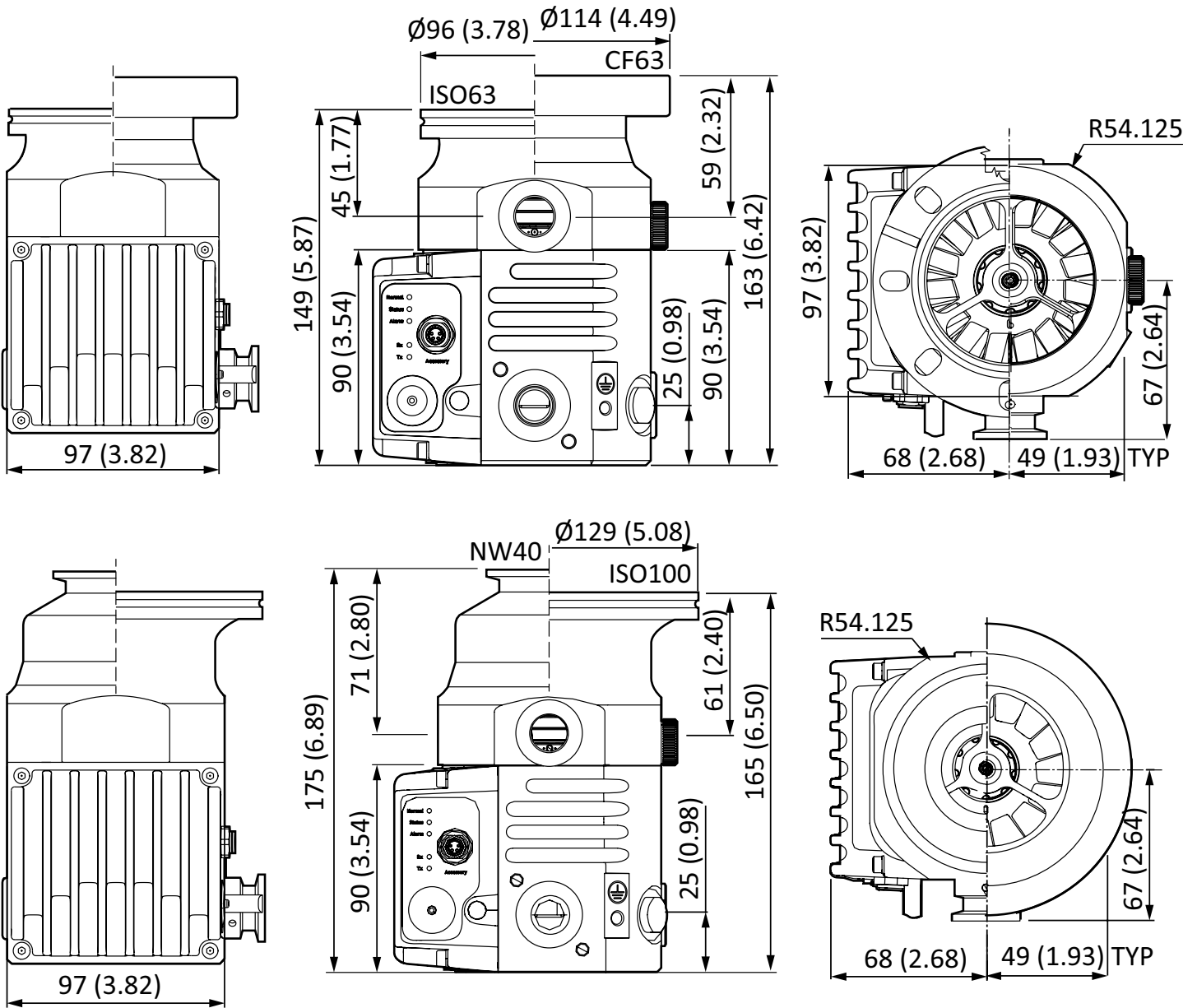
Order information

nEXT85 Product description	Order number
nEXT85D ISO63 NW16 80W	B8G210B01
nEXT85D CF63 NW16 80W	B8G210C01
nEXT85D ISO100 NW16 80W	B8G210I01
nEXT85D NW40 NW16 80W	B8G210A01
nEXT85D ISO100 NW25 80W	B8G240I01
nEXT85ID ISO63 NW16/16 80W	B8G211B01
nEXT85ID ISO63 NW16/25 80W	B8G214B01
nEXT85H ISO63 NW16 80W	B8G410B01
nEXT85H CF63 NW16 80W	B8G410C01
nEXT85H NW40 NW16 80W	B8G410A01
nEXT85IH CF63 NW16/16 80W	B8G411C01
nEXT85H ISO100 NW16 80W	B8G410I01

Other variants available, contact Edwards.

Accessories and spares	Product description	Order number
Controller	TAG controller	D39592000
	TAG power supply	D39592800
	TIC100 turbo and instrument controller	D39721000
Extension cables	1m pump to controller cable	D39700835
	3m pump to controller cable	D39700836
	5m pump to controller cable	D39700837
Power cables	2m electrical supply cable UK plug	D40013025
	2m electrical supply cable EU plug	D40013030
	2m electrical supply cable US plug	D40013120
Cooling	WCX85 water cooling kit (4 position)	B8G200833
	AXC85 air cooler connector fitted	B8G200820
	AXC85 air cooler bare wired	B8G200821
Venting	N/O TAV5 vent valve connector fitted	B8G200834
	N/C TAV5 vent valve connector fitted	B8G200835
	N/O TAV5 vent valve bare wired	B58066010
	N/C TAV5 vent valve bare wired	B58066040
	Vent port adaptor	B58066011
Bakeout	CF63 flange heater 110V	B8G200823
	CF63 flange heater 240V	B8G200824
Service	Bearing replacement kit	B8G200827
	Oil cartridge kit	B8G200828
	Bearing and oil cartridge kit	B8G200811
	Bearing replacement tool kit	B8G200845
Miscellaneous	PRX10 purge restrictor	B58065001
	Accessory "Y" adaptor	B8G200837
	Accessory cable 90 degree / extension	B8G200836
	Accessory connector bare wired	B8G200839
	nEXT85 / EXT75DX base mounting adaptor	B8G200838

Dimensions



GLOBAL CONTACTS

Publication Number: 3601 0248 01
 © Edwards Limited 2018. All rights reserved Edwards and the Edwards logo are trademarks of Edwards Limited

Whilst we make every effort to ensure that we accurately describe our products and services, we give no guarantee as to the accuracy or completeness of any information provided in this datasheet.

Edwards Ltd, registered in England and Wales
 No. 6124750, registered office: Innovation Drive, Burgess Hill, West Sussex, RH15 9TW, UK.

EMEA	
UK	+44 1444 253 000 (local rate) 08459 212223
Belgium	+32 2 300 0730
France	+33 1 4121 1256
Germany	0800 000 1456
Italy	+ 39 02 48 4471
Israel	+ 972 8 681 0633

ASIA PACIFIC	
China	+86 400 111 9618
India	+91 20 4075 2222
Japan	+81 47 458 8836
Korea	+82 31 716 7070
Singapore	+65 6546 8408
Taiwan	+886 3758 1000

AMERICAS	
USA	+1 800 848 9800
Brazil	+55 11 3952 5000

