

mXDS3 AND mXDS3s DRY SCROLL VACUUM PUMPS

edwardsvacuum.com

Edwards range of small dry scroll pumps is expanding with the introduction of the compact mXDS3 and mXDS3s.

The new mXDS3 dry scroll pump delivers $3\text{m}^3\text{h}^{-1}$ pumping speed together with an ultimate pressure of 0.1 mbar making it well suited for backing turbomolecular pumps. mXDS3 is the standard option supplied with no inlet valve fitted.

mXDS3s comes factory fitted with an inlet valve featuring delay opening. It is also supplied with an exhaust silencer. Both offer the same vacuum performance and feature an IEC connector for main supply and an on/off switch for easy control.

This compact dry pump offers flexibility to the system designer and end user alike with a wide range of accessories available to choose from to meet your configuration requirements.



FEATURES AND BENEFITS



DRY PUMP

no oil to check, replace and dispose of making this pump more environmentally friendly.



COMPACT

at only 8kg it is well suited for integration into OEM and analytical instruments, small system builder and laboratories.



QUIET OPERATION

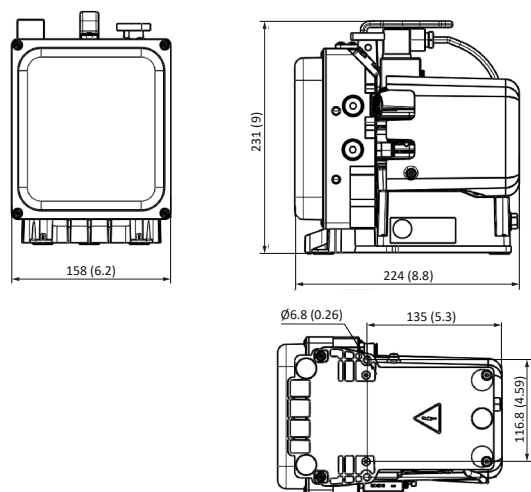
with low noise level, it makes for a better-quality working environment.



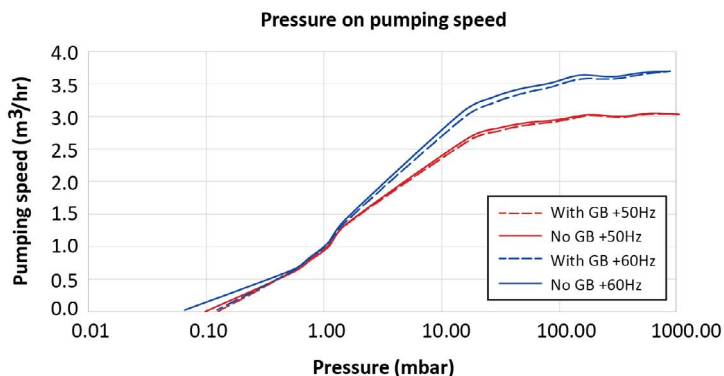
LOW MAINTENANCE

tip seal change when required (typically 2 years)

DIMENSIONS



PERFORMANCE CURVE



TECHNICAL DATA

	Units	mXDS3	mXDS3s
VACUUM DATA			
Ultimate pressure with closed gas ballast	mbar		0.1
Ultimate pressure with gas ballast (1 turn)	mbar		0.15
Max pumping speed (50Hz)	m ³ h ⁻¹		3
Max pumping speed (60Hz)	m ³ h ⁻¹		3.5
Max permitted inlet pressure*	mbar		1000
Typical initial pressure rise on power loss (no inlet valve, with no inlet or gas ballast flow)	mbar l		5
MOTOR DATA			
Supply voltage	V		100 +/- 6% 1 phase
			115 +/- 10% 1 phase
			200 +/- 10% 1 phase
			230 +/- 10% 1 phase
Supply frequency	Hz	50/60	
Power consumption at ultimate	W	180	210
Mains connector		IEC EN60320 C13	
PHYSICAL DATA			
Weight	kg	7.8	8
Inlet connection		DN 16 ISO-KF	
Outlet connection		1/8" BSP for 6x8mm hose	1/8" BSP for 6x8 mm hose exhaust filter supplied
Noise level	dB(A)	54.0 ±2.5	
Vibration measured in plane of bearing	mms ⁻¹	Class 1C...<4.5 (rms radial)	
Leak tightness	mbar/l.s ⁻¹	1x10 ⁻⁴	
Overall dimensions (L x W x H)	mm	224 x 158 x 231	
Nominal rotational speed	Hz	3000 RPM @ 50 / 3600 RPM @ 60	
Ambient temperature range (operation)	°C	+5 to +40	

* These pumps are designed to pump down from atmospheric pressure, but prolonged operation at high inlet pressures may reduce bearing life.

* These pumps are intended to exhaust to atmospheric pressure. High exhaust pressure may reduce tip-seal life.

* Large volumes may be pumped, but prolonged operation at high inlet pressures may reduce bearing life.

Publication Number: 3601 0723 01

© Edwards Limited 2023. All rights reserved Edwards and the Edwards logo are trademarks of Edwards Limited.

Whilst we make every effort to ensure that we accurately describe our products and services, we give no guarantee as to the accuracy or completeness of any information provided in this datasheet.

Edwards Ltd, registered in England and Wales No. 6124750, registered office: Innovation Drive, Burgess Hill, West Sussex, RH15 9TW, UK.

